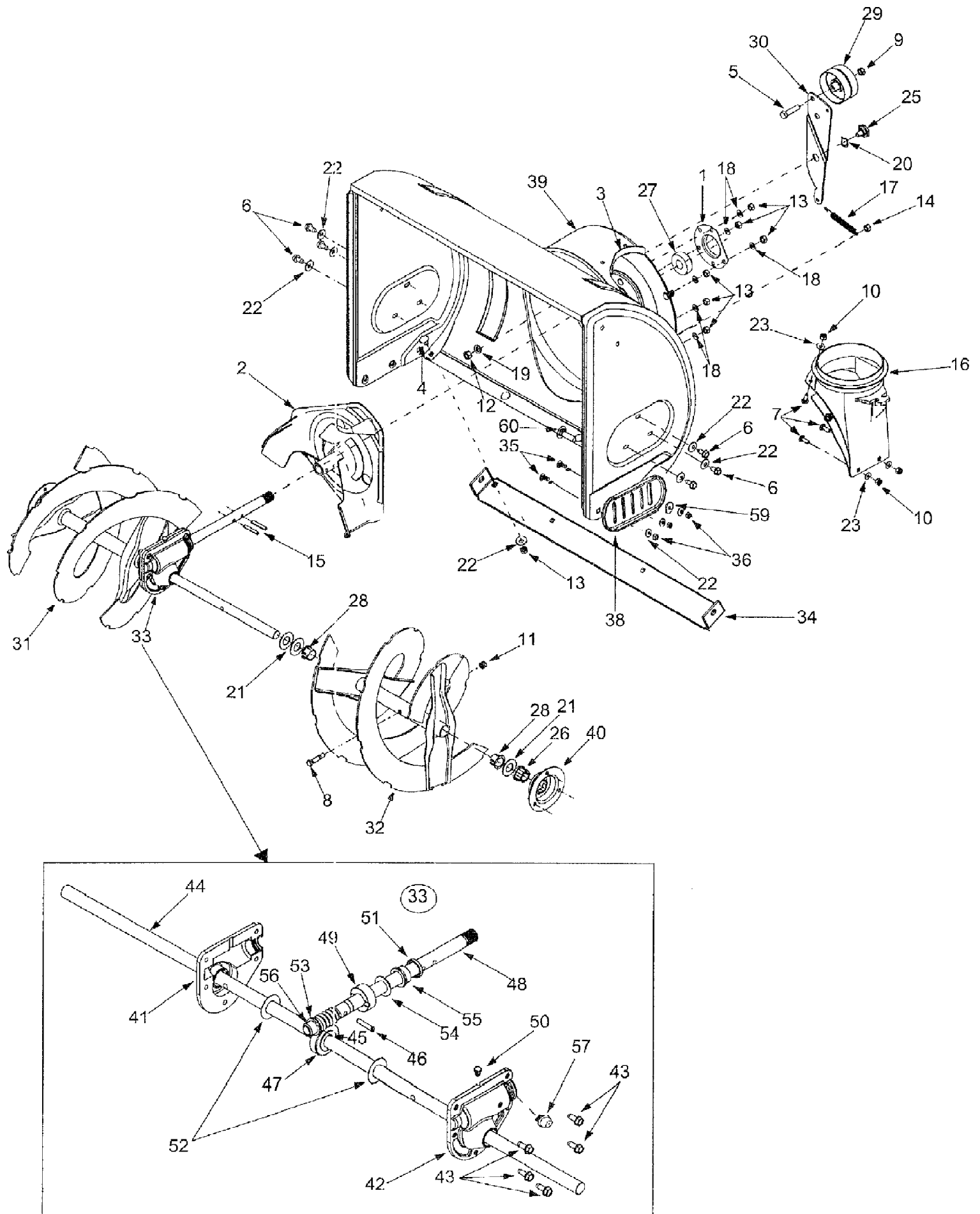


31AD4M3F190 Snow Boss 855 4x4 (2001)
Blower Housing & Gear Assembly



31AD4M3F190 Snow Boss 855 4x4 (2001)
Blower Housing & Gear Assembly

Page 2 of 13

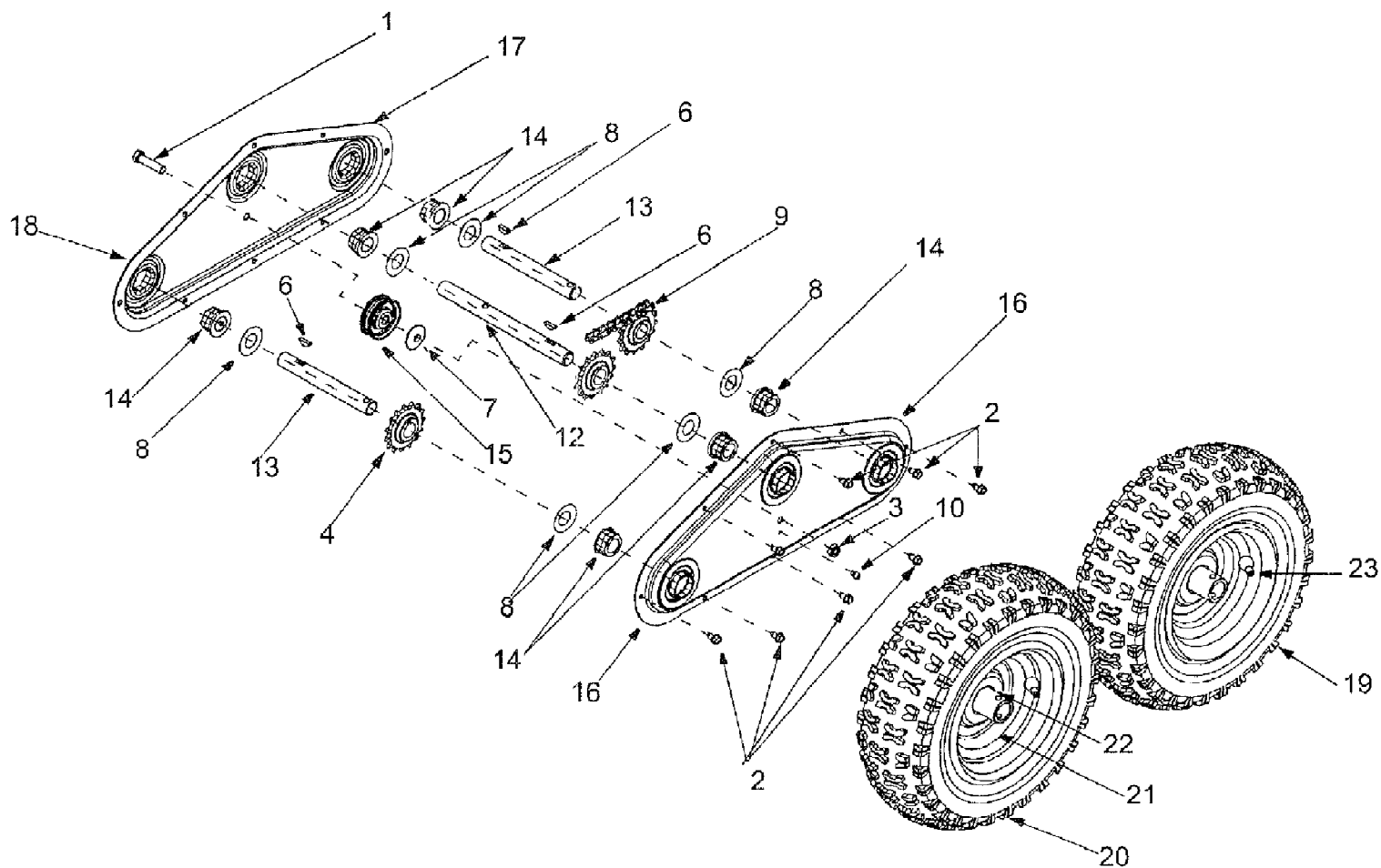
Ref #	Part Number	Qty	S/P/F	Description
1	05931A	1	/P	Bearing Housing
2	684-0065	1	S	Impeller Assy. 12" dia.
3	705-5226	1		Chute Reinforcement
4	710-0451	1	/P	Carriage Bolt 5/16-18 x .75" Gr.2
5	710-0459A	1	/P	Hex Screw 3/8-24 x 1.6" Gr.5
6	710-0604	1	S	Hex Screw 5/16-18
7	710-0703	1	/P	Carriage Screw 1/4-20 x .75"
8	710-0890A	1	/P	Shear Bolt 5/16-18 x 1.5"
9	712-0116	1	S	Jam Nut 3/8-24
10	712-0324	1	/P	Hex Lock Nut 1/4-20
11	712-0429	1	S	Hex Lock Nut 5/16-18
12	712-0798	1	/P	Hex Nut 3/8-16 Gr.2
13	712-3010	1	S	Hex Nut 5/16-18 Gr.5
14	712-3068	1	S	Hex Patch Nut 5/16-18
15	715-0114	1	S	Spiral Pin
16	731-1379B	1	S	Chute Adapter
17	732-0611	1	S	Extension Spring
18	736-0119	1	S	Lock Washer
19	736-0169	1	S	Lock Washer
20	736-0167	1	S	Wave Washer
21	736-0188	1	/P	Flat Washer
22	736-0242	1	/P	Belleville Washer
23	736-0463	1	S	Flat Washer
25	738-0281	1	S	Shoulder Screw
26	741-0245	1	S	Hex Flange Bearing
27	741-0309	1	S	Flange Ball Bearing
28	741-0493A	1	/P	Flange Bushing
29	756-0178	1		Flat Idler
30	784-5632A	1	S	Auger Idler Arm
31	605-5192A	1	S	Spiral Assembly: RH 26"
32	605-5193A	1	S	Spiral Assembly: LH 26"
33	618-0415A	1	S	Gear Assembly: Auger 26"
34	784-5579A	1	S	Shave Plate: Auger 26"
35	710-0451	1	/P	Carr. Bolt: 5/16-18 x 0.75
36	712-3010	1	S	Hex Nut: 5/16-18 Gr.5
?37	736-0242	1	/P	Belleville Washer
38	784-5038B	1	S	Slide Shoe
39	684-0040C	1	S	Auger Housing Assy. 26"
40	784-5618	1	S	Bearing Housing
41	618-0123	1	S	RH Housing
42	618-0124	1	S	LH Housing
43	710-0642	1	/P	TT Screw, 1/4-20 x .75
44	711-0909A	1	/P	Spiral Axle, 26"
45	714-0161	1	S	Hi-Pro Key, 3/16 x 5/8
46	715-0143	1	S	Spring Spiral Pin, .25 x 1.25
47	717-0528	1	S	Worm Gear, 20T
48	717-0526	1		Worm Shaft
49	718-0186	1		Thrust Collar
50	721-0325	1		Grease Plug
51	721-0327	1		Grease Seal
52	736-0351	1	S	Flat Washer .76 x 1.5 x .030
53	736-0369	1	S	Flat Washer .508 x 1.0 x .020
54	736-0445	1	S	Flat Washer .76 x 1.5 x .060

31AD4M3F190 Snow Boss 855 4x4 (2001)
Blower Housing & Gear Assembly

Page 3 of 13

Ref #	Part Number	Qty	S/P/F	Description
55	741-0662	1		Flange Bearing .75 x 1.0 x .59
56	741-0663	1		Flange Bearing .503 ID x .75 OD
57	737-3000	1	S	Grease Fitting
59	736-0231	1	S	Flat Washer
60	710-0276	1	/P	Carriage Screw: Special

31AD4M3F190 Snow Boss 855 4x4 (2001)
Chain Case & Wheels

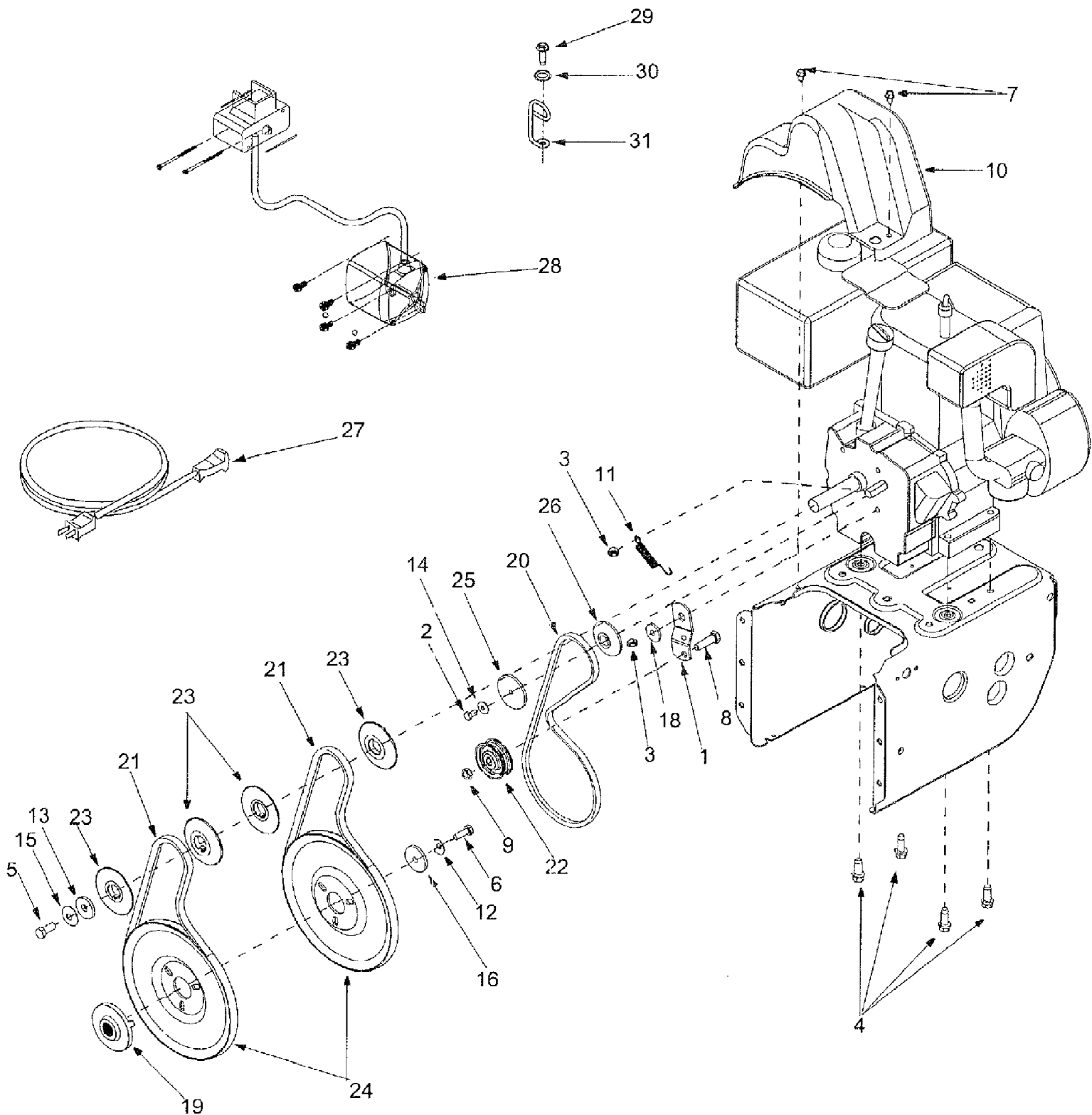


31AD4M3F190 Snow Boss 855 4x4 (2001)
Chain Case & Wheels

Page 5 of 13

Ref #	Part Number	Qty	S/P/F	Description
1	710-0459A	1	/P	Special Hex Screw: 3/8-24 x 1.5"
2	710-0599	1	/P	TT Screw: 1/4-20 x 0.5"
3	712-0116	1	S	Jam Nut
4	713-0491	1		Sprocket
?5	713-0492	1		Chain
6	714-0161	1	S	Key
7	736-0235	1		Flat Washer
8	736-0351	1	S	Flat Washer
9	737-0170	1		Lubricant: 6 in 1
10	737-3000	1	S	Lube Fitting
12	738-1135A	1	/P	Drive Axle
13	738-1136A	1		Wheel Axle
14	741-0598	1	S	Hex Flange Bearing
15	756-0313	1	/P	Flat Idler
16	784-0400A	1		Chain Case: Outer
17	784-0401A	1	S	Chain Case: Inner
18	618-0420A	1	S	Chain Case Assembly RH
	618-0421A	1	S	Chain Case Assembly LH
19	634-0195	1		Complete Wheel Assembly
20	734-1732	1		Tire Assembly
21	734-1735	1		Rim Assembly
22	741-0401	1	S	Bearing
23	734-0255	1	S	Air Valve

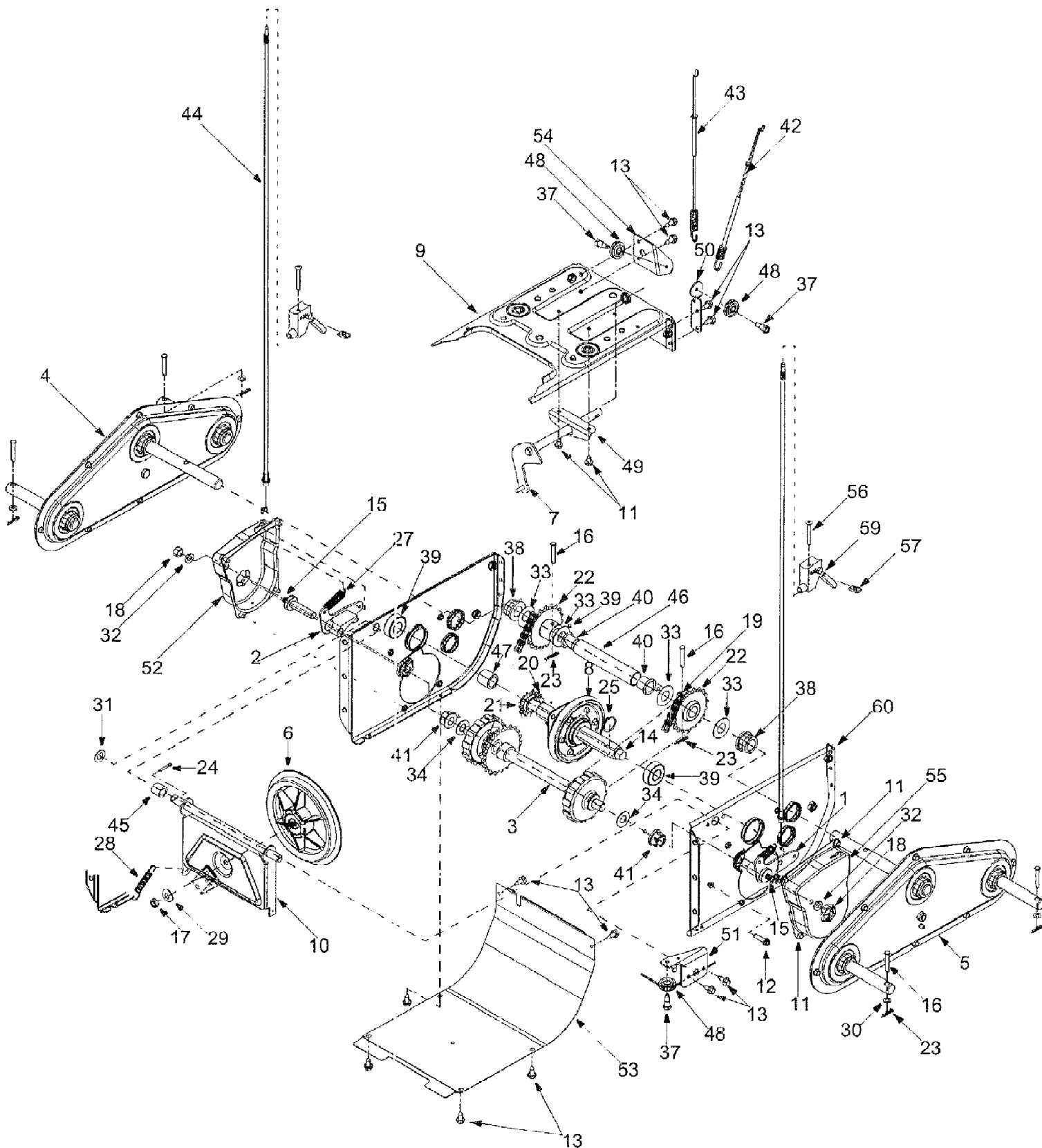
31AD4M3F190 Snow Boss 855 4x4 (2001)
Engine & V-Belts



31AD4M3F190 Snow Boss 855 4x4 (2001)
Engine & V-Belts

Page 7 of 13

Ref #	Part Number	Qty	S/P/F	Description
1	05896A	1		Idler Bracket
2	710-0230	1	/P	Hex Bolt 1/4-28 x 0.5" Gr.5
3	710-0627	1	/P	Hex Scr w/ Patch: 5/16-24 x 0.75"
4	710-0654A	1	/P	Hex Washer Head Sems Screw
5	710-0696	1	/P	Hex Bolt 3/8-24 x .875" Gr.8
6	710-1245	1	/P	Hex Scr w/ Patch: 5/16-24 x .875"
7	710-1652	1	/P	Hex Washer Head TT
8	710-3005	1	/P	Hex Screw: 3/8-16 x 1.0"
9	712-0181	1	S	Top Lock Jam Nut: 3/8-16
10	731-1324	1		Belt Cover
11	732-0710	1	S	Extension Spring
12	736-0242	1	/P	Bellevile Washer
13	736-0247	1	/P	Flat Washer
14	736-0270	1	/P	Bell Washer
15	736-0331	1	/P	Bell Washer
16	736-0505	1		Flat Washer
18	748-0234	1	/P	Shoulder Spacer
19	748-0360	1	S	Adapter Pulley
20	754-0346	1	S	V -Belt
21	754-0430A	1	S	Belt
22	756-0313	1	/P	Flat Idler
23	756-0569	1		Pulley Half
24	756-0967	1		Auger Pulley
25	756-0986	1		Pulley Half
26	756-0987	1	S	Pulley Half
27	629-0071	1	S	Extension Cord
28	OEM-390-987	1	S	Electric Start Kit
29	712-0324	1	/P	Lock Nut 1/4-20
30	736-0173	1	/P	Flat Washer.28 ID x .74 OD
31	732-0705	1		Cable Guide



31AD4M3F190 Snow Boss 855 4x4 (2001)
Frame Assembly

Page 9 of 13

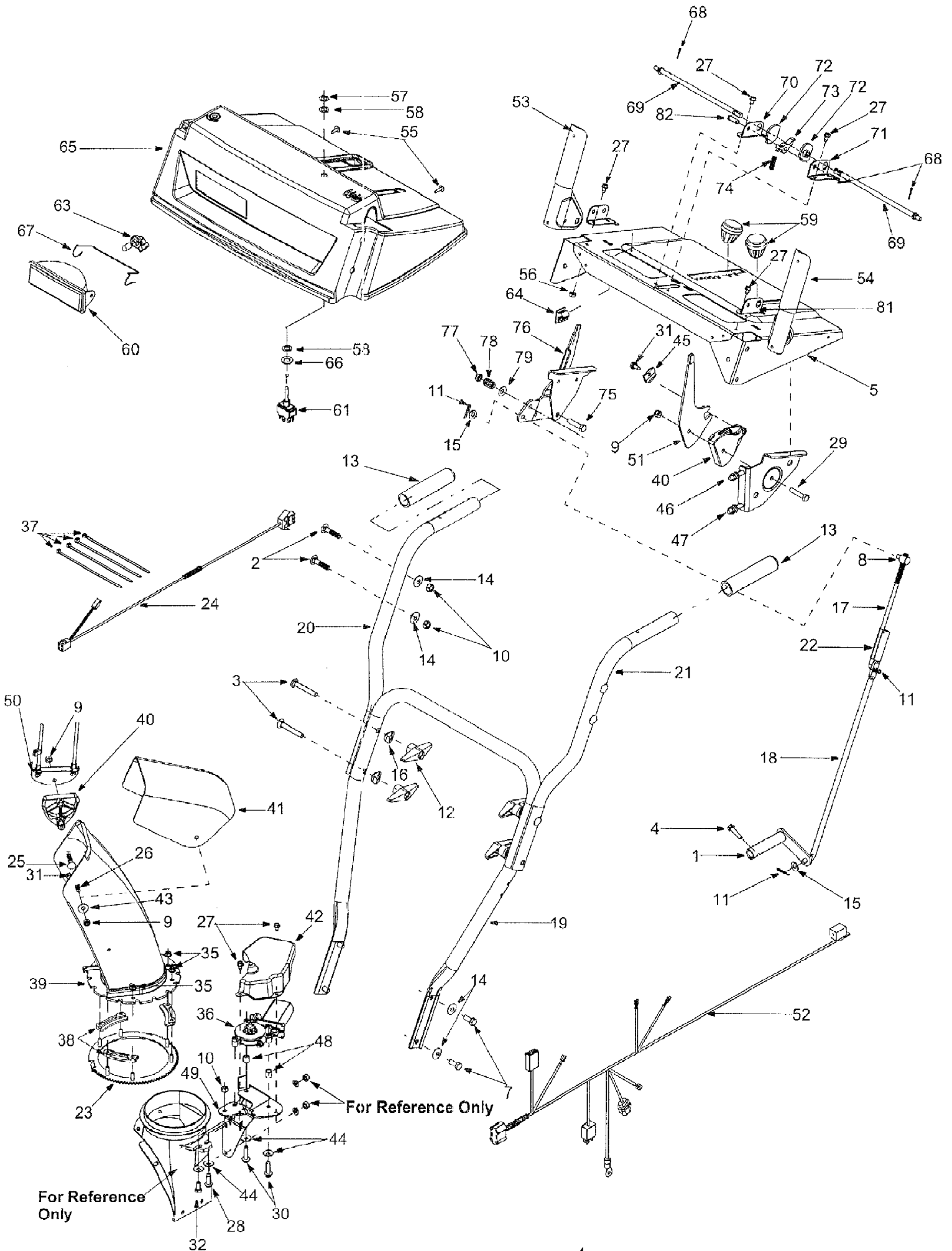
Ref #	Part Number	Qty	S/P/F	Description
1	618-0043	1		Dogg Assembly: RH
2	618-0044	1		Dogg Assembly: LH
3	618-0303A	1	S	Shift Assembly: Steerable Drive
4	918-0420A	1	/P	Chain Case Assembly: RH
5	918-0421A	1	/P	Chain Case Assembly: LH
6	956-0012A	1	/P	Friction Wheel Disc Assy.
7	684-0014B-0637	1	/P	Shift Rod Assembly
8	984-0042C	1	/P	Friction Wheel Assembly
9	684-0130	1		Transmission Frame Assembly
10	684-0131A-0637	1	/P	Support Bracket Assembly
11	710-0599	1	/P	Hex Washer Screw 1/4-20 x 0.5"
12	710-0788	1	/P	Hex Washer Screw 1/4-20 x 1.0"
13	710-1652	1	/P	Hex Washer Screw 1/4-20 x .625"
14	711-1267	1		Drive Shaft
15	711-1268	1		Actuator Shaft
16	711-1364	1		Pin
17	712-0711	1	/P	Jam Nut 3/8-24 Gr.8
18	712-3017	1	S	Hex Nut: 3/8-16
19	913-0131	1		Chain
20	713-0233	1	/P	Chain
21	713-0413	1		Sprocket: 19T
22	713-0473	1		Sprocket
23	914-0104	1	/P	Cotter Pin
24	914-0474	1	/P	Cotter Pin
25	916-0102	1	/P	Snap Ring
27	932-0209	1	/P	Extension Spring
28	932-0264	1	/P	Extension Spring
29	736-0105	1	/P	Bell Washer
30	736-0142	1	S	Flat Washer
31	736-0160	1	S	Flat Washer
32	736-0169	1	S	Lock Washer
33	736-0351	1	S	Flat Washer
34	736-0626	1		Flat Washer
37	738-0924	1	S	Shoulder Screw
38	741-0598	1	S	Hex Flange Bearing
39	941-0600	1	/P	Ball Bearing
40	741-0701	1		Flange Bushing
41	741-1111	1		Hex Flange Bearing
42	946-0897	1	/P	Auger Clutch Cable
43	946-0898	1	/P	Drive Clutch Cable
44	946-0956B	1	/P	Steering Cable
45	748-0190	1	/P	Spacer
46	750-1161A	1	/P	Support Tube: Axle
47	750-1162	1		Spacer
48	756-0625	1		Roller Cable
49	784-5590	1		Shift Bracket
50	784-5687A-0637	1	/P	Auger Clutch Cable Guide Bracket
51	784-5689A-0637	1	/P	Front Support Guide Bracket
52	784-5730A-0637	1	/P	Retaining Shaft RH: Actuator Drive
53	784-5732	1		Frame Cover
54	784-5733-0637	1	/P	Roller Bracket: Drive Cable
55	784-5740-0637	1	/P	Retaining Shaft LH: Actuator Drive
56	710-1233	1	/P	Machine Screw

31AD4M3F190 Snow Boss 855 4x4 (2001)
Frame Assembly

Page 10 of 13

Ref #	Part Number	Qty	S/P/F	Description
57	712-0127	1	/P	Weld Nut
58	725-0157	1	/P	Cable Tie
59	746-0950A	1	/P	Turn Trigger
60	784-5731A	1	S	Frame
	777D04519	1		Label: Handle Panel Not shown
	777D04527	1		Label: Housing 855 4x4 Not shown
	777D04524	1		Label: Side Housing Not shown
	777D04536	1		Label: Engine Not shown
	777120821	1		Label: H-Steer RH Not shown
	777120822	1		Label: H-Steer LH Not shown
	777530511	1		Label: Chute Danger Not shown
	777530514	1		Label: Housing Danger Not shown

31AD4M3F190 Snow Boss 855 4x4 (2001)
Handle Assembly / Chute Assembly



31AD4M3F190 Snow Boss 855 4x4 (2001)
Handle Assembly / Chute Assembly

Page 12 of 13

Ref #	Part Number	Qty	S/P/F	Description
1	684-0008A	1	S	Shift Arm Assembly
2	710-0262	1	/P	Carriage Bolt 5/16-18 x 1.5"
3	710-0449	1	S	Carriage Bolt 5/16-18 x 2.25"
4	710-0788	1	/P	TT Screw 114-20 x 1"
5	684-0102	1		Handle Panel Ass'y w/Tilt
7	710-3008	1	/P	Hex Screw 5/16-18 x .75"
8	711-0677	1	S	Ferrule
9	712-0429	1	S	Hex Lock Nut 5/16-18
10	712-3010	1	S	Hex Nut 5/16-18
11	714-0104	1	S	Cotter Pin
12	720-0284	1	S	Handle Knob
13	720-0274	1	/P	Handle Grip
14	736-0242	1	/P	Belleville Washer
15	736-0275	1	S	Flat Washer
16	736-0451	1	S	Saddle Washer
17	747-0620A	1	/P	Shift Rod: Upper
18	747-0621	1		Shift Rod: Lower
19	749-0951	1		Lower Handle
20	749-0952A	1	/P	Upper Handle: L Style RH
21	749-0953A	1	/P	Upper Handle: L Style LH
22	750-0963	1	S	Connector: Shift Rod
23	618-0419	1		Gear Assembly: Ring
24	629-0937	1		Electric Harness: Lower
25	710-0262	1	/P	Carriage Bolt: 5/16-18 x 1.5"
26	710-0451	1	/P	Carriage Bolt: 5.16-18 x .750"
27	710-0599	1	/P	TT Screw: 1/4-20 x 0.5"
28	710-0602	1	/P	TT Screw: 5/16-18 x 1"
29	710-0805	1	/P	Hex Screw: 5/16-18 x 1.5"
30	710-0817	1		TT Screw: 5/16-18 x 1.25"
31	710-0896	1	/P	Hex Screw AB:1/4-14 x 0.625"
32	710-3008	1	/P	Hex Screw: 5/16-18 x .75"
35	712-3027	1	S	Hex Flange Lock Nut
36	724-0249	1	S	Electric Motor: Chute Crank
37	725-0157	1	/P	Cable Tie
38	731-0851A	1	/P	Chute Flange Keeper
39	731-1300A	1	S	Lower Chute
40	731-1313C	1	/P	Cable Guide: Chute: Tilt
41	731-1320	1	S	Upper Chute
42	731-2279	1		Motor Cover: Chute Rotation
43	736-0159	1	S	5/16 Washer
44	736-0242	1	/P	Belleville Washer
45	736-0506	1	S	Special Washer
46	746-0896	1	S	Control Cable
47	746-0901	1	S	Control Cable
48	750-1232	1		Spacer
49	782-0599	1		Motor Bracket
50	784-5594	1		Cable Bracket
51	784-5604	1	S	Handle: Chute Tilt
52	629-0936A	1	/P	Harness Assembly: Upper
53	684-0036	1	S	Handle Assembly RH
54	684-0037A	1	S	Handle Assembly LH
55	710-1003	1	/P	Special Hex Screw
56	712-0271	1	/P	Special Hex Screw: 1/4-20

31AD4M3F190 Snow Boss 855 4x4 (2001)
Handle Assembly / Chute Assembly

Page 13 of 13

Ref #	Part Number	Qty	S/P/F	Description
57	712-0693	1	/P	Hex Nut
58	716-0398	1		Lock Ring: Toggle Switch
59	720-0232	1	S	Shift Knob
60	725-1672	1	S	Lamp Housing
61	725-1755	1	S	Toggle Switch: Double Throw
63	725-1759	1	S	Halogen Lamp: 50W, 12V
64	726-0152	1		Mounting Clamp
65	731-2507	1		Handle Panel
66	736-0226	1	S	Flat Washer
67	747-1136	1	/P	Headlight Retainer
68	714-0104	1	S	Cotter Pin .072 x 1.12
69	747-0877	1		Cam Rod
70	784-5680	1	S	RH Handle Support Bracket
71	784-5679	1	S	LH Handle Support Bracket
72	748-0362	1		Cam Handle Lock
73	748-0363	1	S	Handle Lock Pawl
74	732-0145	1	/P	Compression Spring: .36 x 1.0
75	710-0459A	1	/P	Hex Cap Screw: 3/8-24 x 1.5
76	784-5619A	1	S	Shift Handle
77	712-0116	1	S	Jam Nut, 3/8-24
78	732-0193	1	/P	Comp. Spring: .39 x .6 x .88
79	736-0105	1	/P	Bell Washer
?80	784-5682	1	S	RH Handle Support Bracket
81	784-5681	1	/P	LH Handle Support Bracket
82	711-0653	1	/P	Clevis Pin